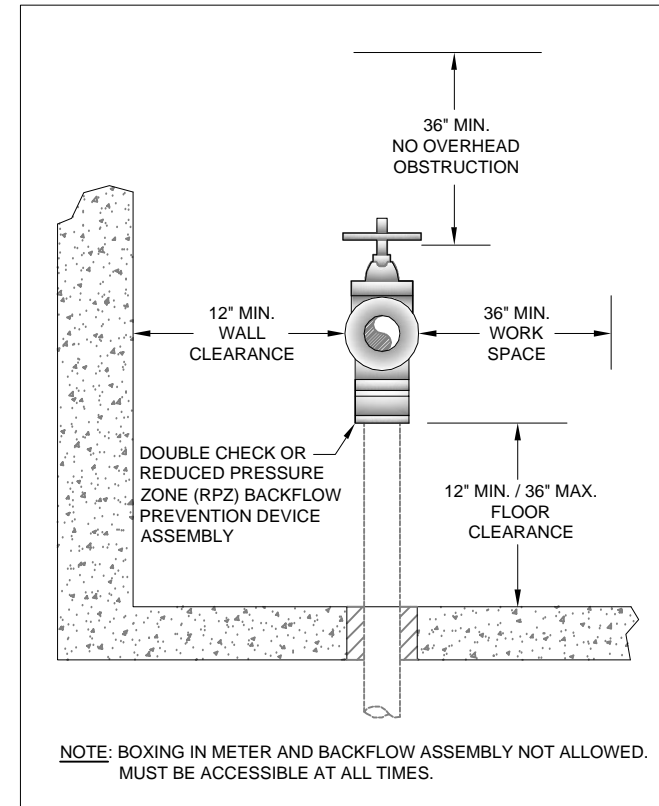


NOTE: TEST COCK MAY OR MAY NOT BE REQUIRED DEPENDING ON TYPE OF METER.

WATER METER COUPLING SEPARATION TABLE	
WATER METER SIZE (INCHES)	COUPLING SEPARATION (FEMALE PIPE THREAD TO FEMALE PIPE THREAD) (INCHES)
5/8	12
3/4	13-5/8
1	16-1/4
1-1/2	22-1/4
2	26-1/4



## HORIZONTAL INSTALLATION OF REDUCED PRESSURE ZONE AND DOUBLE CHECK VALVE BACKFLOW PREVENTION ASSEMBLY

NOT TO SCALE

*Placy* 3-11-13  
Senior Manager of Engineering Date

